

SG-TCM06N2-25(19, 13)

- 640×512 Thermal Network Camera Module with 25mm(19mm, 13mm) Fixed Lens



1. Features

- > 640×512 resolution, high sensitivity sensor.
- > 12μm pixel pitch.
- > 25mm(19mm, 13mm) fixed lens.
- > Support various IVS functions.
- > Support Fire Detection.
- > Support Analog and Ethernet dual output.

2. Specification

Model		SG-TCM06N2-25	SG-TCM06N2-19	SG-TCM06N2-13
Sensor	Image Sensor	Uncooled VOx microbolometer		
	Resolution	640×512		
	Frame Rate	50Hz		
	Pixel Pitch	12μm		
	Spectral Range	8~14μm		
	NETD	≤40mK@25°C, F#1.0		
Lens	Coating	DLC		
	Focal Length	25mm	19mm	13mm
	Focus	Manual	Manual	Manual
	Digital Zoom	8x	8x	8x
	F Value	F1.0	F1.0	F1.0
	FOV	17.46°×14.04°	22.85°×18.37°	32.91°×26.59°
Video	Compression	H.265/H.264/H.264H/H.264B/MJPEG		

	Audio Compression	AAC / MP2L2		
	Snapshot	JPEG		
	Resolution	Main Stream: 50fps@(1280×1024, 1280×720, 704×576, 704×480) Sub-Stream1/2: 50fps@(704×576, 704×480, 352×288, 352×240)		
	Video Bit Rate	4kbps~40Mbps		
Network	Network Protocol	IPv4, IPv6, HTTP, HTTPS, TCP, UDP, RTSP, RTCP, RTP, ARP, NTP, FTP, DHCP, PPPoE, DNS, DDNS, UPnP, IGMP, ICMP, SNMP, SMTP, QoS, 802.1x, Bonjour		
	API	ONVIF, HTTP API, SDK, GB28181		
	Network Security	User Authentication, IP/MAC Filtering, HTTPS Encryption, IEEE 802.1X Network Access Control		
	Web Browser	IE, Edge, Firefox, Chrome		
	User	Up to 20 users, 2 level: Administrator, User		
	Storage	Micro SD/SDHC/SDXC card (Up to 1TB) edge storage, FTP, NAS		
	Multicast	Support		
Intelligence	Perimeter Protection	Tripwire, Cross Fence Detection, Intrusion		
	Behavior Analysis	Abandoned Object, Object Removal, Fast-Moving, Crowd Detection, Loitering Detection, Parking Detection		
	Events	Motion Detection, Video Occlusion, Scene Change, Audio Detection, Network Disconnected, IP Conflict, Illegal Access, Storage Anomaly		
	Fire Detection	Support		
Interface	Ethernet	4PIN Ethernet port, 10M/100M self-adaption		
	Alarm In/Out	1/1		
	Audio In/Out	1/1		
	Control Interface	1x TTL 3.3V (VISCA protocol), 1x RS485 (Pelco protocol) (TTL 3.3V optional)		
	Video Output	Network and CVBS		
Pseudo Color	White hot, black hot, fusion, iron red, etc. 20 options			
FFC Mode	Auto / Manual			
Image Setting	Brightness, Contrast, Sharpness, and Temporal Noise Reduction			
OSD	Support			
Flip	Support			
Mirror	Support			
Power Supply	DC 12V, 1A			
Power Consumption	≤2.5W			
Operating Conditions	-30°C~+60°C/20% to 80%RH			
Storage Conditions	-40°C~+70°C/20% to 95%RH			
The 1 st Lens Protection Level	IP67			
Dimensions(L*W*H)	75.3*48*47mm	69.3*48*47mm	63*48*47mm	
Weight	Approx. 200g	Approx. 177g	Approx. 156g	

3. DRI Distance

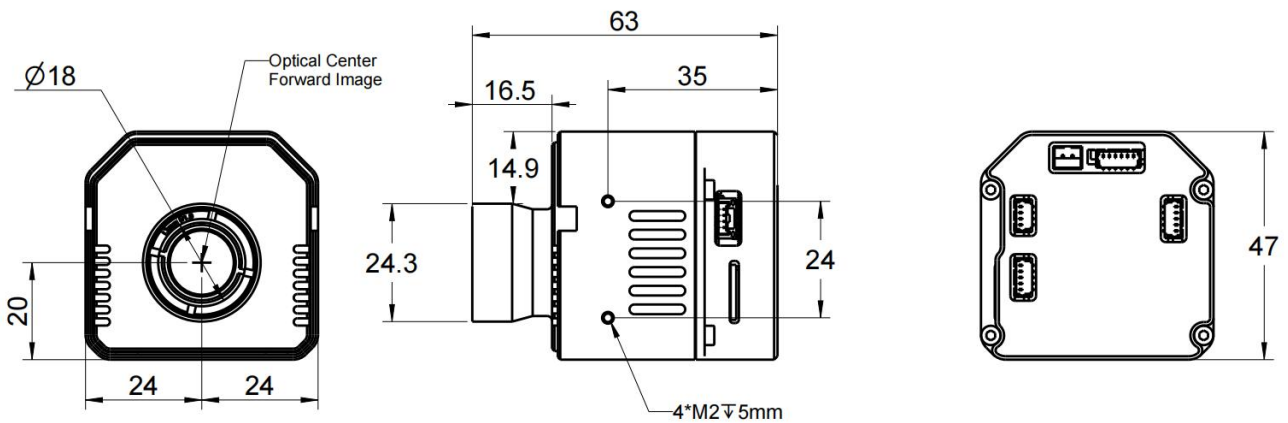
Target: Human size is 1.8m×0.5m (Critical size is 0.75m), Vehicle size is 1.4m×4.0m (Critical size is 2.3m); Fire size is 0.13m×0.13m (Critical size is 0.13m).

The target detection, recognition and identification distances are calculated according to Johnson's Criteria.

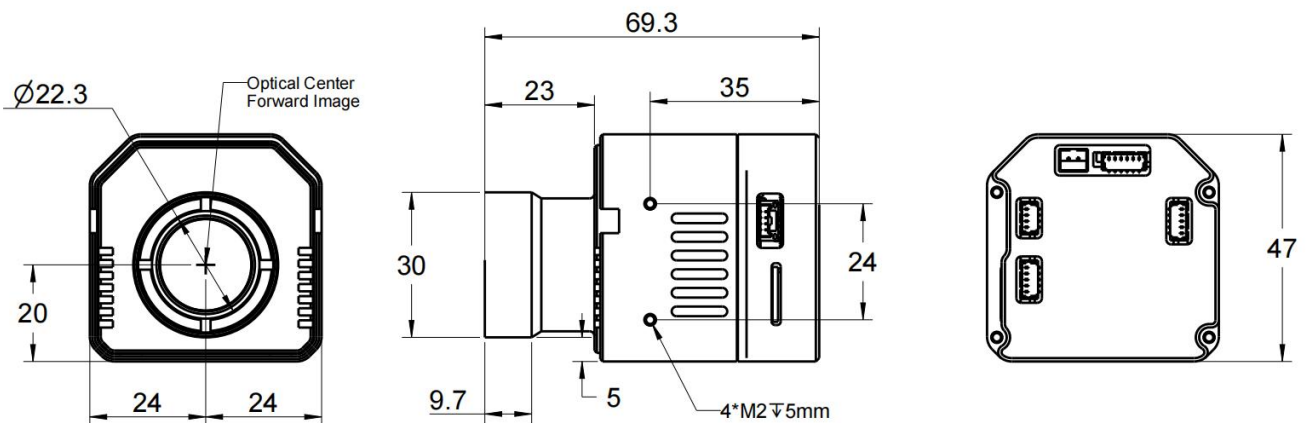
The recommended distances of Detection, Recognition and Identification are as follows:

Lens	Detect			Recognize			Identify		
	Vehicle	Human	Fire	Vehicle	Human	Fire	Vehicle	Human	Fire
13mm	1661m (5449ft)	542m (1778ft)	94m (308ft)	415m (1362ft)	135m (443ft)	23m (75ft)	208m (682ft)	68m (223ft)	12m (39ft)
19mm	2428m (7966ft)	792m (2598ft)	137m (499ft)	607m (1991ft)	198m (650ft)	34m (112ft)	303m (994ft)	99m (325ft)	17m (56ft)
25mm	3194m (10479ft)	1042m (3419ft)	181m (594ft)	799m (2621ft)	260m (853ft)	45m (148ft)	399m (1309ft)	130m (427ft)	23m (75ft)

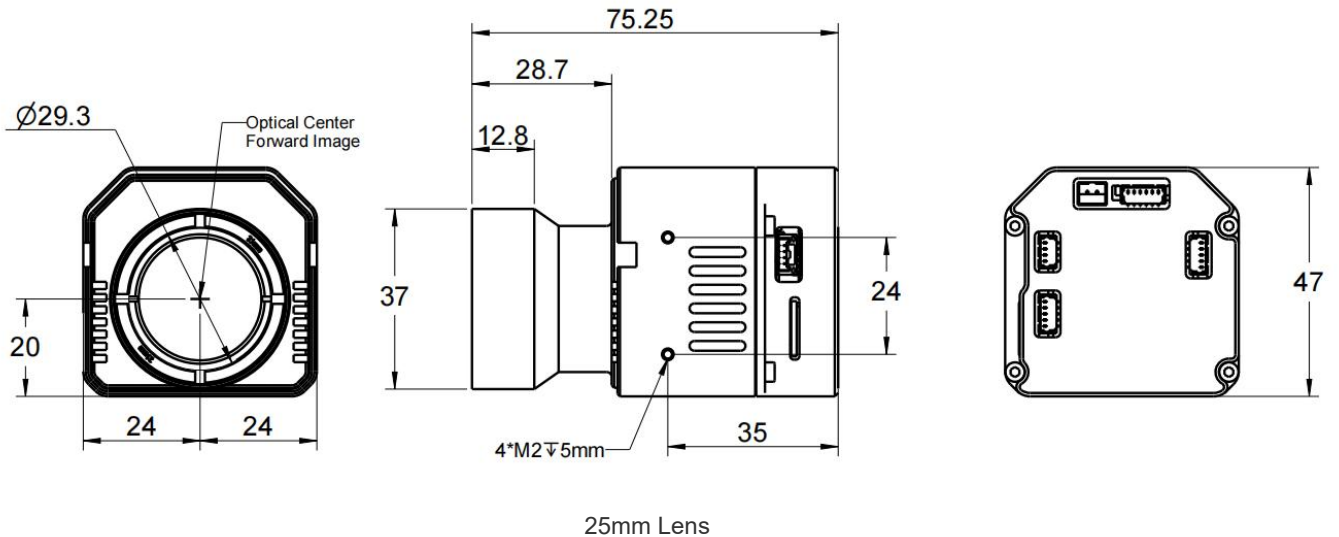
4. Dimension



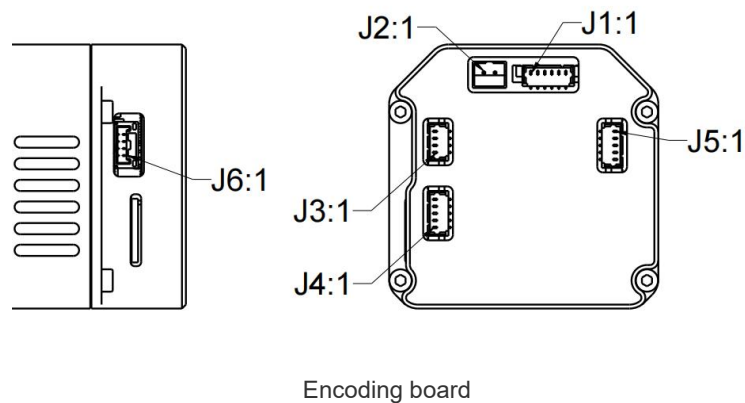
13mm Lens



19mm Lens



4. Interface Definition



Type	PIN	PIN Name	Description	
J1_6pin Power & UART Interface (A1251-06A, 1.25mm)	1	DC_IN	DC12V±10%	
	2	GND	GND	
	3	485A	RS485A Pelco protocol (TTL 3.3V Optional)	
	4	485B	RS485B Pelco protocol (TTL 3.3V Optional)	
	5	RXD0	TTL 3.3V, Visca protocol	
	6	TXD0	TTL 3.3V, Visca protocol	
J2_2pin Power (A2001AWR-02 2.0MM)	1	DC_IN	DC12V±10%	
	2	GND	GND	
	J3_4pin Ethernet (A1251-04A, 1.25mm)	1	ETHRX-	Adaptive Ethernet port, Internet RX-
		2	ETHRX+	Adaptive Ethernet port, Internet RX+
3		ETHTX-	Adaptive Ethernet port, Internet TX-	
4		ETHTX+	Adaptive Ethernet port, Internet TX+	
J4_5pin Alarm (A1251-05A, 1.25mm)	1	Alarm_IN	Alarm In	
	2	GND	GND	
	3	Alarm_OUT+	Alarm output via circuit switching (closed on alarm, open otherwise, non-polarized) (48V/1A Max)	
	4	Alarm_OUT-		

	5	GND	GND
J5_5pin Audio (A1251-05A, 1.25mm)	1	AUDIO_Out	Audio Out (Line Out)
	2	GND	GND
	3	AUDIO_IN	Audio In (Line In)
	4	GND	GND
	5	CVBS	CVBS

Hangzhou Savgood Technology Co., Ltd.

Rm. 1201, Xingcheng Fazhan Building #1, No. 406 Xintiandi Street,
Gongshu District, Hangzhou City, 310022, China
Tel: +86 - (571) 8803 8121
Email: sales@savgood.com
<http://www.savgood.com>
<http://www.savgoodtech.com>

*Design and specifications are subject to change without prior notification.
© 2013 Savgood Technology Co., Ltd.