

SG-TCM06N2-M30180

- 640x512 Thermal Network Camera Module with Motorized Lens



1. Features

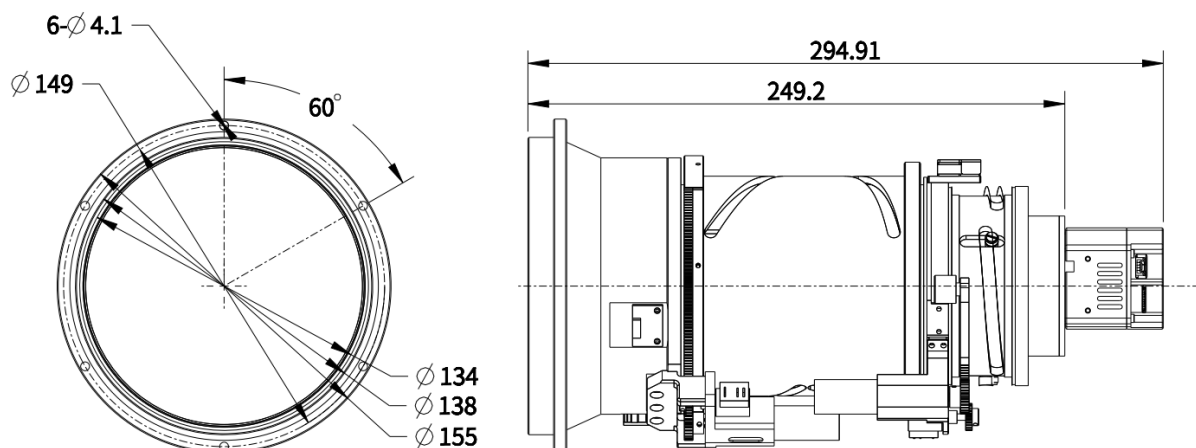
- > 640x512 resolution, high sensitivity sensor.
- > 12 μ m pixel pitch.
- > 30~180mm motorized thermal lens.
- > Support fast auto focus.
- > Support various IVS functions.
- > Support Fire Detection.
- > Support Analog and Ethernet dual output.

2. Specification

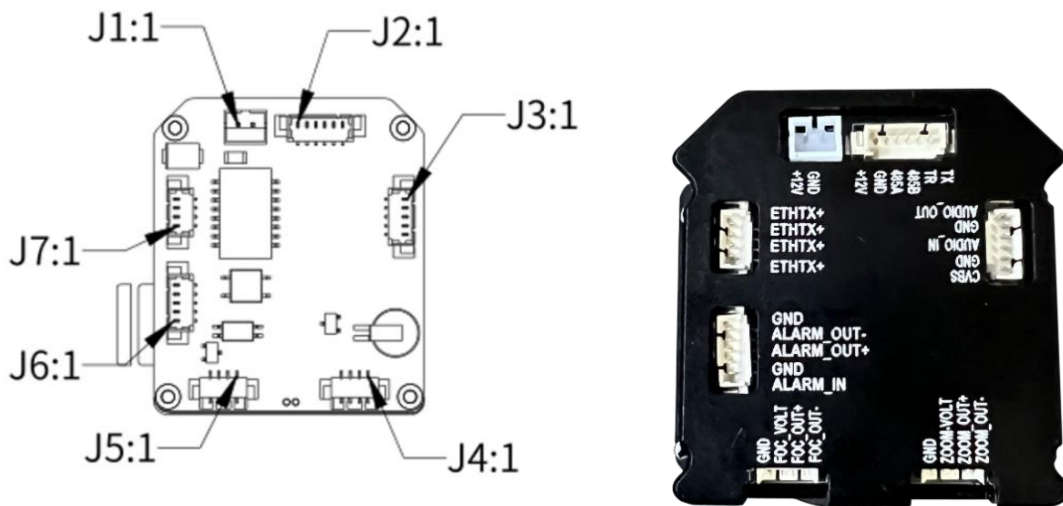
Model		SG-TCM06N2-M30180
Sensor	Image Sensor	Uncooled VOx microbolometer
	Resolution	640x512
	Pixel Size	12 μ m
	Spectral Range	8~14 μ m
	NETD	\leq 40mK@25°C, F#1.0
Lens	Focal Length	30~180mm motorized Lens
	Optical Zoom	6x
	Digital Zoom	8x
	F Value	F1.0~F1.4
	FOV	14.59°x11.69°~2.44°x1.96°

Video	Compression	H.265/H.264B/H.264M/H.264H/MJPEG
	Snapshot	JPEG
	Pseudo color	Support: White Hot, Black Hot, Iron Red, Rainbow 1, Fulgurite, Rainbow 2, Fusion, Bluish Red, Amber, Arctic, Tint
	Streams	Main Stream: 25/30fps@1280×1024, 25/30fps@1280×720, 25/30fps@640×512 Sub-Stream: 25/30fps@640×512, 25/30fps@352×288
Network	Network Protocol	IPv4, IPv6, HTTP, HTTPS, TCP, UDP, RTSP, RTCP, RTP, ARP, NTP, FTP, DHCP, PPPoE, DNS, DDNS, UPnP, IGMP, ICMP, SNMP, SMTP, QoS, 802.1x, Bonjour
	Interoperability	ONVIF, HTTP API, SDK, GB28181
	Max. Connection	20
Intelligence	General Events	Motion, Tamper, SD Card, Network
	IVS functions	Tripwire, Cross Fence Detection, Intrusion, Abandoned Object, Fast-Moving, Parking Detection, Crowd Gathering Estimation, Missing Object, Loitering Detection.
	Fire Detection	Support
Interface	Ethernet	4PIN Ethernet port, 10M/100M self-adaption
	Analog Video	1ch CVBS
	Alarm In/Out	1/1
	Audio In/Out	1/1
	RS485	Support
Resolution	50Hz: 25fps@(1280×1024)	
Storage Capabilities	Micro SD/SDHC/SDXC card (Up to 1TB) edge storage, FTP, NAS	
Power Supply	DC 12V, 1A	
Operating Conditions	-30°C~+60°C/20% to 80%RH	
Storage Conditions	-40°C~+70°C/20% to 95%RH	
Dimensions(L*W*H)	Approx. 295mm*155mm*155mm	
Weight	Approx. 3.2kg	

3. Dimension



4. Interface Definition



Encoding board

Type	PIN Number	PIN Name	Description
J1_2pin Power (A2001AWR-02 2.0MM)	1	DC_IN	DC12V±10%
	2	GND	GND
J2_6pin Power & UART Interface (A1251-06A 1.25MM)	1	DC_IN	DC12V±10%
	2	GND	GND
	3	485+	RS485+, Pelco Protocol
	4	485-	RS485-, Pelco Protocol
	5	RXD0	TTL 3.3V, Visca Protocol
	6	TXD0	TTL 3.3V, Visca Protocol
J3_5pin Audio (A1251-05A, 1.25mm)	1	AUDIO_OUT	Audio Out (Line Out)
	2	GND	GND
	3	AUDIO_IN	Audio In (Line In)
	4	GND	GND
	5	CVBS	CVBS
J4_Thermal Zoom	1~4	Zoom	Thermal Zoom
J5_Thermal Focus	1~4	Focus	Thermal Focus
J6_5pin Alarm (A1251-05A 1.25MM)	1	Alarm_IN	Alarm In
	2	GND	GND
	3	Alarm_OUT+	Alarm Out
	4	Alarm_OUT-	Alarm Out
	5	GND	GND
J7_4pin Ethernet (A1251-04A, 1.25mm)	1	ETHRX-	Adaptive Ethernet port, Internet RX-
	2	ETHRX+	Adaptive Ethernet port, Internet RX+
	3	ETHTX-	Adaptive Ethernet port, Internet TX-
	4	ETHTX+	Adaptive Ethernet port, Internet TX+

Hangzhou Savgood Technology Co., Ltd.

Rm. 1201, Xincheng Fazhan Building #1, No. 406 Xintiandi Street,
Gongshu District, Hangzhou City, 310022, China
Tel: +86 - (571) 8803 8121
Email: sales@savgood.com
<http://www.savgood.com>
<http://www.savgoodtech.com>

*Design and specifications are subject to change without prior notification.
© 2013 Savgood Technology Co., Ltd.